

Technical Bulletin 028 – Roll Cage Padding



Issue Date 31/07/2023

Revision 02

Lifeline Fire and Safety Systems Limited

Falkland Close, Charter Avenue Industrial Estate,
Coventry, West Midlands, CV4 8AU

Tel: +44 (0)24 7671 2999

Fax: +44 (0)24 7642 1322

Email: sales@lifeline-fire.co.uk

Technical Bulletin 028 –

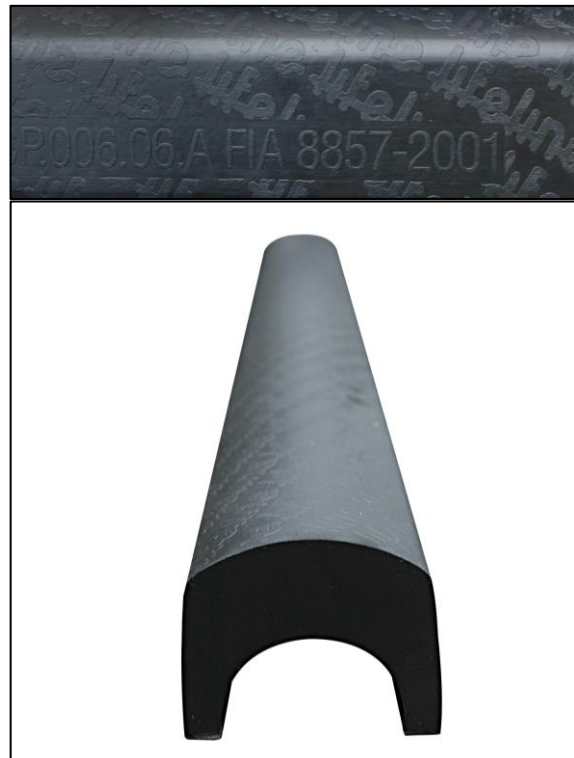
REV2 24/07/2023

Overview

Lifeline sets new standards of in-cockpit protection with its advanced roll cage padding specification.

Developed for international and national motorsport Lifeline roll cage padding is homologated for competition use by the FIA and therefore also fully compliant with MSA requirements. Specifically designed to meet the extreme demands of motorsport, Lifeline roll cage padding has been subjected to rigorous FIA laboratory impact and flame retardancy testing. In anticipation of any future regulation changes Lifeline has designed the padding to perform well in excess of the current minimum requirements.

Supplied in standard 600mm lengths the padding can be readily cut to fit and is supplied with heavy duty self-adhesive tape for ease of installation. Available in all popular cage tube sizes – 32mm, 40mm, 45mm, 50mm and 60mm sizes - to make this the most comprehensive range on sale today.

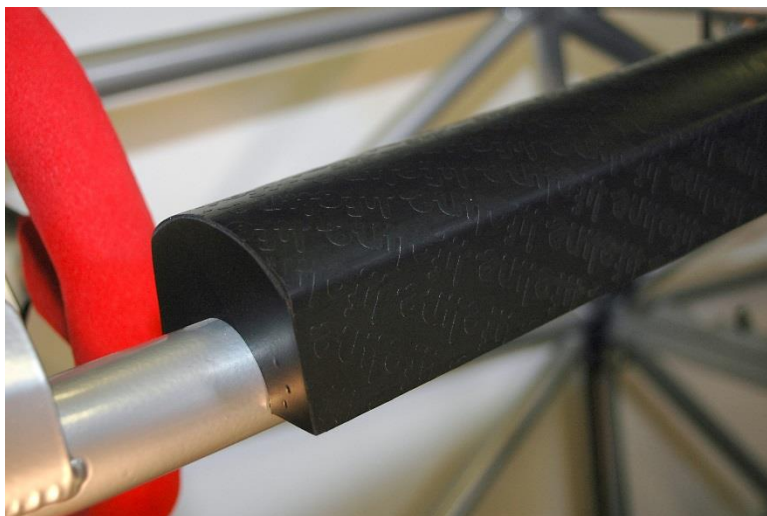


FIA Homologation

FIA Homologation Type	FIA 8857-2001 Type A
Homologation Number	CP.006.06.A

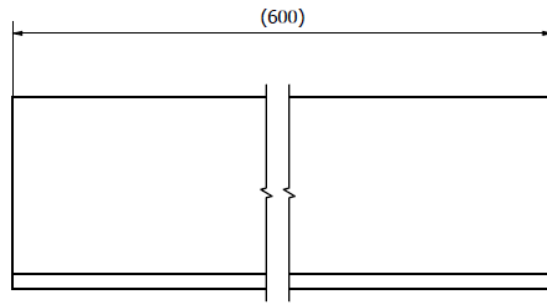
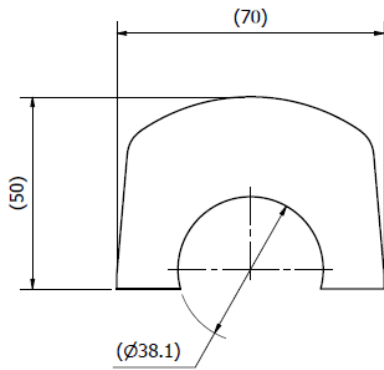
Roll Cage Padding Drawings

Part No.	Description	Weight	Overall Dims
451-100-001	Roll Cage Padding – 38/40mm	0.573kg	70 x 50 x 600mm
451-100-002	Roll Cage Padding – 45mm	0.462kg	70 x 53 x 600mm
451-100-003	Roll Cage Padding – 50mm	0.427kg	70 x 56 x 600mm
451-100-004	Roll Cage Padding – 32mm	0.585kg	70 x 47 x 600mm
451-100-005	Roll Cage Padding – 60mm	0.392kg	70 x 61 x 600mm

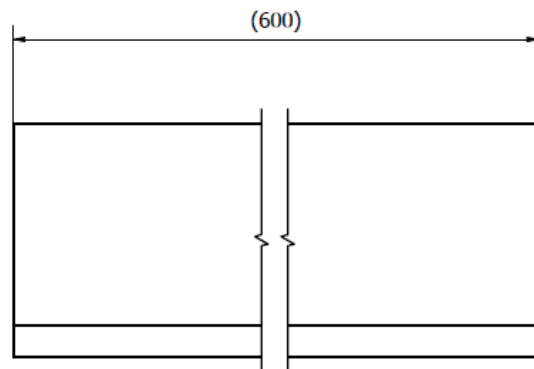
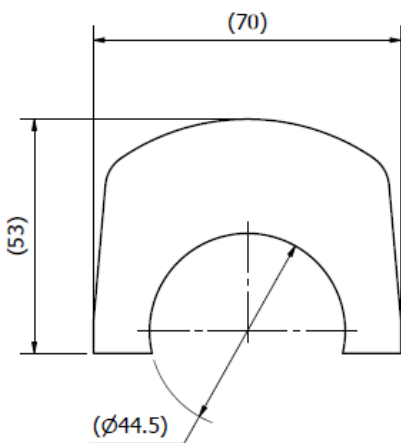


Drawings

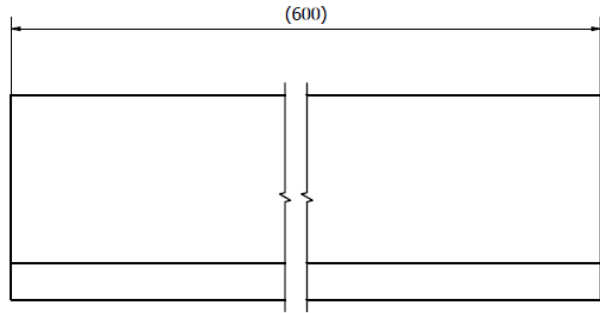
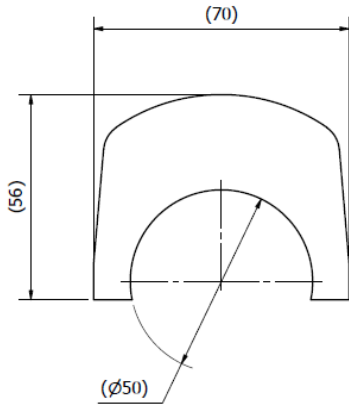
451-100-001 – 38-40mm



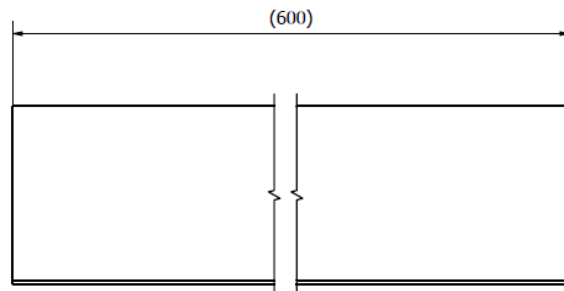
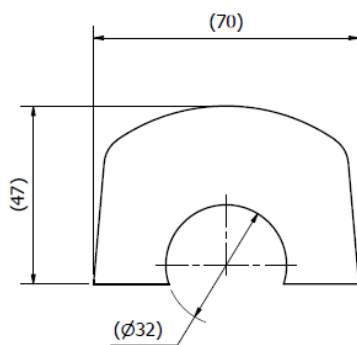
451-100-002 – 45mm



451-100-003 – 50mm



451-100-004 – 32mm



451-100-005 – 60mm

